

State of Wyoming Corner Record

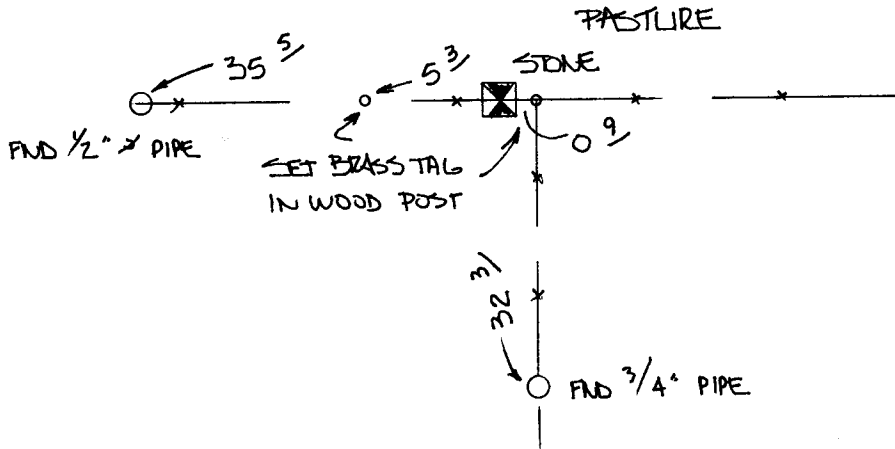
(In compliance with the *CORNER PERPETUATION AND FILING ACT*, Wyoming Statutes, 1977, Section 36-11-101, et. seq., and the Rules and Regulations of the Board of Registration for Professional Engineers and Professional Land Surveyors)

Reverse side of this form may be used if more space is needed.

Record of original survey and citation of source of historical information (if corner is lost or obliterated). Description of corner monumentation evidence found and/or monument and accessories established to perpetuate the location of this corner. Sketch of relative location of monument, accessories, and reference points with course and distance to adjacent corner(s) (if determined in this survey). Method and rationale for reestablishment of lost or obliterated corner.

ORIGINAL CALL : RED SANDSTONE 17" x 7" x 4"

FOUND SANDSTONE 3" WIDE , TOP 4" ABOVE GROUND , WITH CHISELED "X" ON TOP . MATCHES MONUMENT RECORD FILED BY PLS 566 .



N.T.S.

216253

LARAMIE COUNTY CLERK
CHEYENNE, WY.

98 JAN 5 PM 12 27

SECTION 27

N 88 S4 S9E 2630.83
SW 27
ALUM CAP
RS 5910

S 1/4 COR
STONE

Date of Field Work: 12-18-97

Office Reference: 57181

CROSS INDEX DIAGRAM

	1	2	3	4	5	6	7	8	9	10	11	12	13	14	15	16	17	18	19	20	21	22	23	24	25	
A																										
B																										
C		6																								
D			5																							
E				4																						
F					3																					
G						2																				
H							1																			
I																										
J																										
K																										
L																										
M																										
N																										
O																										
P																										
Q																										
R																										
S																										
T																										
U																										
V																										
W																										
X																										
Y																										
Z																										

Firm/Agency, Address

GEO SURV INC
520 STACY CT STE B
LAFAYETTE COLORADO 80026
JOHN P GUYTON
Telephone Number: 303 666 0379

This corner record was prepared by me or under my direction and supervision.
SEAL & SIGNATURE



Corner Name: S 1/4 Section: 27 T 15N R 63W: 6 P.M. Cross-Index No.: V-15
SBRPEPLS/PLSW: March 1994

0171

BOOK 1469